

NEW DUCATO

GOODS TRANSPORT



Trim levels and options may vary in response to specific legal or market requirements. The information in this publication is purely indicative. Fiat reserves the right to make any changes to the models described in this publication at any time for technical or market reasons.
Fiat Marketing 02.3.0941.08 - S - 09/2011 - Printed in Italy - Tipolitografica CS (PD)
Publication printed on chlorine-free paper.

www.fiatprofessional.com

TECHNICAL SPECIFICATIONS AND STANDARD EQUIPMENT




TECHNICAL SPECIFICATIONS.

NEW DUCATO VANS - GLAZED AND SEMI-GLAZED VANS - TRUCKS

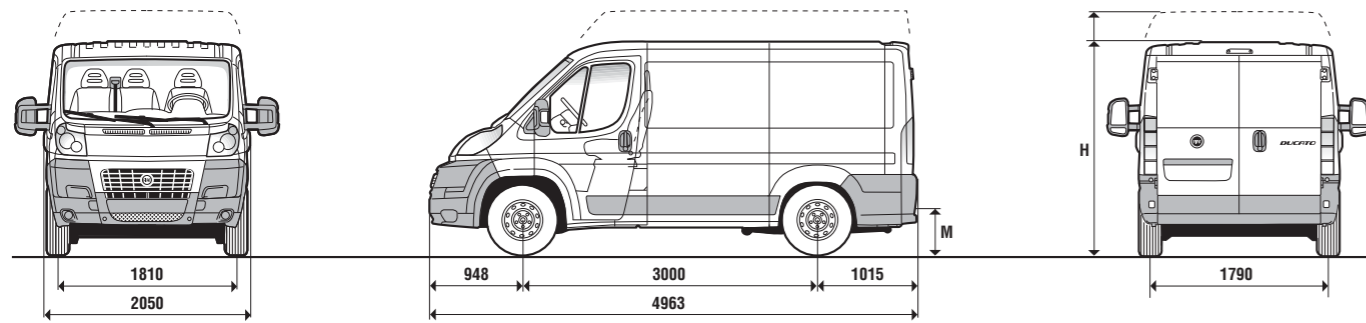
Engine	115 Multijet	130 Multijet	150 Multijet	180 Multijet Power
Number of cylinders, arrangement	4 in line	4 in line	4 in line	4 in line
Displacement (cm³)	1956	2287	2287	2999
Compression ratio	16,5:1	16,2:1	16,2:1	17,5:1
EC max. power: kW (HP) at rpm	85 (115) 3700	96 (130) 3600	109 (148) 3600	130 (177) 3500
EC max torque: Nm (kgm) at rpm	280 (28,5) 1500	320 (32,6) 1800	350 (35,7) 1500	400 (40,8) 1400
Emissions level	Euro 5	Euro 5	Euro 5	Euro 5
Timing system (control)	2 OHC (toothed drive belt)	2 OHC (toothed drive belt)	2 OHC (toothed drive belt)	2 OHC (chain drive)
Fuel supply	electronically controlled Common Rail Multijet II direct injection with turbocharger and intercooler	electronically controlled Common Rail Multijet II direct injection with turbocharger and intercooler	electronically controlled Common Rail Multijet II direct injection with variable geometry turbocharger and intercooler	electronically controlled Common Rail Multijet direct injection with variable geometry turbocharger and intercooler
Ignition	compression	compression	compression	compression
Transmission				
Traction	front drive	front drive	front drive	front drive
Clutch	single disc and hydraulic release device	single disc and hydraulic release device	single disc and hydraulic release device	single disc and hydraulic release device
Gearbox: number of gears		5 + R	6 + R	6 + R 6 + R
Reduction ratios				
1 st	4,167 : 1	3,727 : 1	3,727 : 1	4,167 : 1
2 nd	2,350 : 1	1,952 : 1	1,952 : 1	2,350 : 1
3 rd	1,462 : 1	1,290 : 1	1,290 : 1	1,462 : 1
4 th	0,955 : 1	0,875 : 1	0,875 : 1	0,955 : 1
5 th	0,695 : 1	0,673 : 1	0,673 : 1	0,695 : 1
6 th	-	0,585 : 1	0,585 : 1	0,552 : 1
Reverse		3,154 : 1	3,154 : 1	4,083 : 1
Final drive ratio	4,083 : 1 4,867 : 1	4,933 : 1 (74/15) 5,231 : 1 (68/13) Maxi	4,933 : 1 (74/15) 5,231 : 1 (68/13) Maxi	4,222 : 1 (76/18) 4,563 : 1 (73/16) Maxi
Steering system				
Type	with rack and power steering	with rack and power steering	with rack and power steering	with rack and power steering Servotronic (variable power-assisted))
Turning circle (kerb to kerb)	Short wheelbase m 11 –	Medium wheelbase m 12,46 – Medium-to-long wheelbase m 13,54 – Long wheelbase m 14,28		
Braking system - D (disc)				
Type		dual H-I circuit; front and rear disc brakes. ABS and Electronic Brake-force Distribution corrector (EBD)		
Front: Ø mm	D 280 self-ventilated	D 280 self-ventilated D 300 self-ventilated Maxi	D 280 self-ventilated D 300 self-ventilated Maxi	D 280 self-ventilated D 300 self-ventilated Maxi
Rear: Ø mm	D 280	D 280	D 280	D 280
Brake servo: Ø	11"	11"	11"	11"
Suspensions				
Front		independent, McPherson type with track control arms, coil springs, telescopic shock absorbers and anti-roll bar		
Rear		rigid tubular axle type with parabolic longitudinal leaf springs, telescopic shock absorbers and flexible side buffers		
Wheels				
Tyres		215/70 R 15 C (225/70 R 15 C optional). Maxi: 215/75 R 16 C on 35 q. - 225/75 R 16 C on 40 q. (opt. on 35 Maxi)		
Electrical system (12 V)				
Battery capacity (Ah)	95	95	95	110
Weights - Capacities				
Max towable weight (braked) (kg)	2000	2500 - 3000*	2500 - 3000*	2500 - 3000*
Fuel tank capacity (litres)	90	90	90	90
Performance				
Top speed • (km / h)	138 ÷ 148	145 ÷ 155	152 ÷ 162	161 ÷ 171
NEDC consumption (l/100 km)	6,8 - 7,2	7,1 - 7,4	7,1 - 7,4	8 - 8,5
NEDC CO ₂ emissions (g/km)	179 - 190	186 - 195	186 - 195	209 - 224

▲ Minimum and maximum values according to model and version

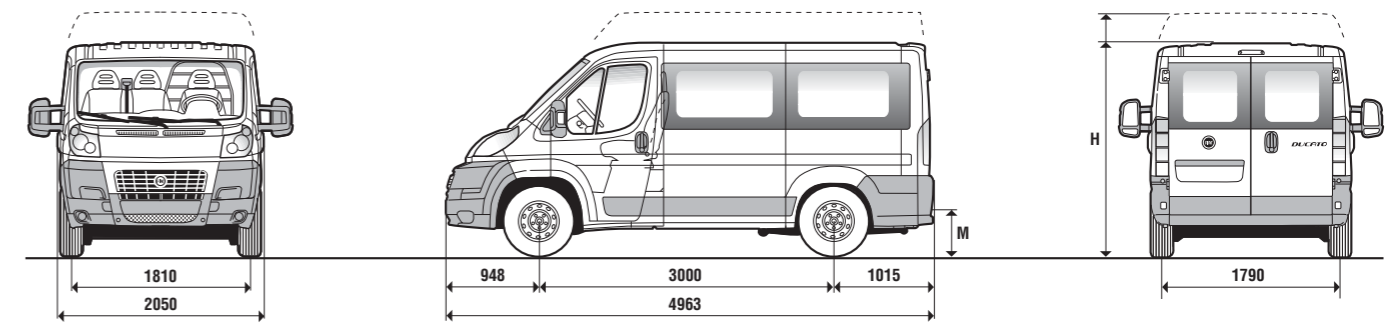
* Maxi versions 35

Fiat recommends  SELENIA engine oil, PARAFU coolants, TUTELA functional fluids.

VANS WHEELBASE 3000 MM.



GLAZED/SEMI-GLAZED VANS 3000 MM WHEELBASE.



Dimensions mm	Van 28	Van 30		Van 33		Van 35	
		Standard	High	Standard	High	Standard	High
Wheelbase	3000	3000	3000	3000	3000	3000	3000
Maximum length	4963	4963	4963	4963	4963	4963	4963
Maximum width	2050	2050	2050	2050	2050	2050	2050
Front track	1810	1810	1810	1810	1810	1810	1810
Rear track	1790	1790	1790	1790	1790	1790	1790
H Maximum height (unladen)	2254	2254	2524	2254	2524	2254	2524
Front projection	948	948	948	948	948	948	948
Rear projection	1015	1015	1015	1015	1015	1015	1015
Tailgate							
Width	1562	1562	1562	1562	1562	1562	1562
Height	1520	1520	1790	1520	1790	1520	1790
Side door							
Width	1075	1075	1075	1075	1075	1075	1075
Height	1485	1485	1755	1485	1755	1485	1755
Load compartment							
Maximum length	2670	2670	2670	2670	2670	2670	2670
Maximum width	1870	1870	1870	1870	1870	1870	1870
Width between wheel arches	1422	1422	1422	1422	1422	1422	1422
Maximum height	1662	1662	1932	1662	1932	1662	1932
M Height of load threshold (unladen)	535	535	535	535	535	535	535

Dimensions mm	Van 30		Van 33		Van 35	
	Standard	High	Standard	High	Standard	High
Wheelbase	3000	3000	3000	3000	3000	3000
Maximum length	4963	4963	4963	4963	4963	4963
Maximum width	2050	2050	2050	2050	2050	2050
Front track	1810	1810	1810	1810	1810	1810
Rear track	1790	1790	1790	1790	1790	1790
H Maximum height (unladen)	2254	2524	2254	2524	2254	2524
Front projection	948	948	948	948	948	948
Rear projection	1015	1015	1015	1015	1015	1015
Tailgate						
Width	1562	1562	1562	1562	1562	1562
Height	1520	1790	1520	1790	1520	1790
Side door						
Width	1075	1075	1075	1075	1075	1075
Height	1485	1755	1485	1755	1485	1755
Load compartment						
Maximum length	2670	2670	2670	2670	2670	2670
Maximum width	1870	1870	1870	1870	1870	1870
Width between wheel arches	1422	1422	1422	1422	1422	1422
Maximum height	1662	1932	1662	1932	1662	1932
M Height of load threshold (unladen)	535	535	535	535	535	535

Volume m ³ 8	Van 28	Van 30				Van 33				Van 35			
		115 Multijet	130 Multijet	150 Multijet	180 Multijet	115 Multijet	130 Multijet	150 Multijet	180 Multijet	115 Multijet	130 Multijet	150 Multijet	180 Multijet
Engine versions		115 Multijet	130 Multijet	150 Multijet	180 Multijet	115 Multijet	130 Multijet	150 Multijet	180 Multijet	115 Multijet	130 Multijet	150 Multijet	180 Multijet
Vehicle weight* tare (kg)	1845	1845	1860	1860	1910	1845	1860	1860	1910	1845	1860	1860	1910
Capacity* (kg)	955	1155	1140	1140	1090	1455	1440	1440	1390	1655	1640	1640	1590
GVW (kg)	2800	3000	3000	3000	3000	3300	3300	3300	3300	3500	3500	3500	3500
Max. speed (km/h)	148	148	155	162	171	148	155	162	171	148	155	162	171
NEDC consumption (l/100 km)	6,8	6,8	7,2	7,2	8	6,8	7,2	7,2	8	6,8	7,2	7,2	8
NEDC CO ₂ emissions (g/km)	179	179	189	189	209	179	189	189	209	179	189	189	209

Volume m ³ 8	Van 30*				Van 33*				Van 35*			
	115 Multijet	130 Multijet	150 Multijet	180 Multijet	115 Multijet	130 Multijet	150 Multijet	180 Multijet	115 Multijet	130 Multijet	150 Multijet	180 Multijet
Engine versions	115 Multijet	130 Multijet	150 Multijet	180 Multijet	115 Multijet	130 Multijet	150 Multijet	180 Multijet	115 Multijet	130 Multijet	150 Multijet	180 Multijet
Vehicle weight* tare (kg)	1845	1860	1860	1910	1845	1860	1860	1910	1845	1860	1860	1910
Capacity* (kg)	1155	1140	1140	1090	1455	1440	1440	1390	1655	1640	1640	1590
GVW (kg)	3000	3000	3000	3000	3300	3300	3300	3300	3500	3500	3500	3500
Max. speed (km/h)	148	155	162	171	148	155	162	171	148	155	162	171
NEDC consumption (l/100 km)	6,8	7,2	7,2	8	6,8	7,2	7,2	8	6,8	7,2	7,2	8
NEDC CO ₂ emissions (g/km)	179	189	189	209	179	189	189	209	179	189	189	209

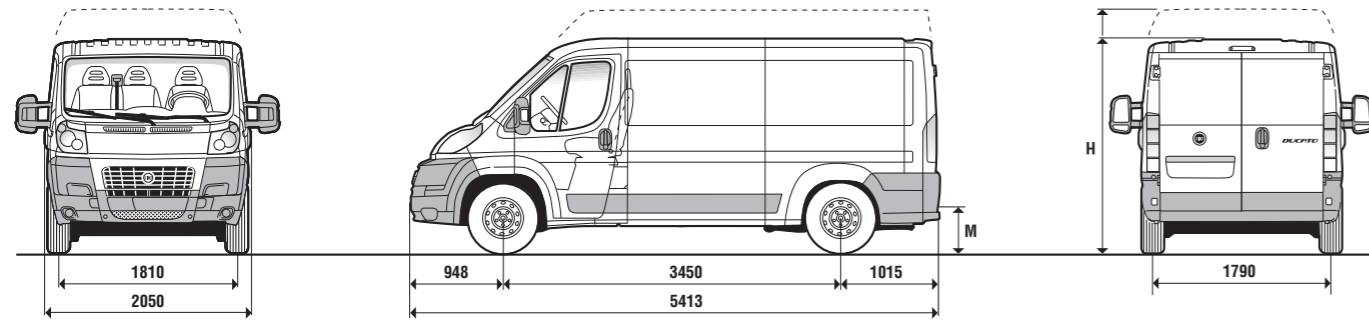
Volume m ³ 9,5	Van 30 High				Van 33 High				Van 35 High			
	115 Multijet	130 Multijet	150 Multijet	180 Multijet	115 Multijet	130 Multijet	150 Multijet	180 Multijet	115 Multijet	130 Multijet	150 Multijet	180 Multijet
Engine versions	115 Multijet	130 Multijet	150 Multijet	180 Multijet	115 Multijet	130 Multijet	150 Multijet	180 Multijet	115 Multijet	130 Multijet	150 Multijet	180 Multijet
Vehicle weight* tare (kg)	1875	1890	1890	1940	1875	1890	1890	1940	1875	1890	1890	1940
Capacity* (kg)	1125	1110	1110	1060	1425	1410	1410	1360	1625	1610	1610	1560
GVW (kg)	3000	3000	3000	3000	3300	3300	3300	3300	3500	3500	3500	3500
Max. speed (km/h)	143	150	157	166	143	150	157	166	143	150	157	166
NEDC consumption (l/100 km)	7	7,2	7,2	8	7	7,2	7,2	8	7	7,2	7,2	8
NEDC CO ₂ emissions (g/km)	185	189	189	209	185	189	189	209	185	189	189	209

Volume m ³ 9,5	Van 30 High				Van 33 High				Van 35 High			
	115 Multijet	130 Multijet	150 Multijet	180 Multijet	115 Multijet	130 Multijet	150 Multijet	180 Multijet	115 Multijet	130 Multijet	150 Multijet	180 Multijet
Engine versions	115 Multijet	130 Multijet	150 Multijet	180 Multijet	115 Multijet	130 Multijet	150 Multijet	180 Multijet	115 Multijet	130 Multijet	150 Multijet	180 Multijet
Vehicle weight* tare (kg)	1875	1890	1890	1940	1875	1890	1890	1940	1875	1890	1890	1940
Capacity* (kg)	1125	1110	1110	1060	1425	1410	1410	1360	1625	1610	1610	1560
GVW (kg)	3000	3000	3000	3000	3300	3300	3300	3300	3500	3500	3500	3500
Max. speed (km/h)	143	150	157	166	143	150	157	166	143	150	157	166
NEDC consumption (l/100 km)	7	7,2	7,2	8	7	7,2	7,2	8	7	7,2	7,2	8
NEDC CO ₂ emissions (g/km)	185	189	189	209	185	189	189	209	185	189	189	209

* Kerb weight with supplies, spare wheel, tools and accessories † Including driver

* Semi-glazed version availability † Kerb weight with supplies, spare wheel, tools and accessories † Including driver

VANS WHEELBASE 3450 MM.



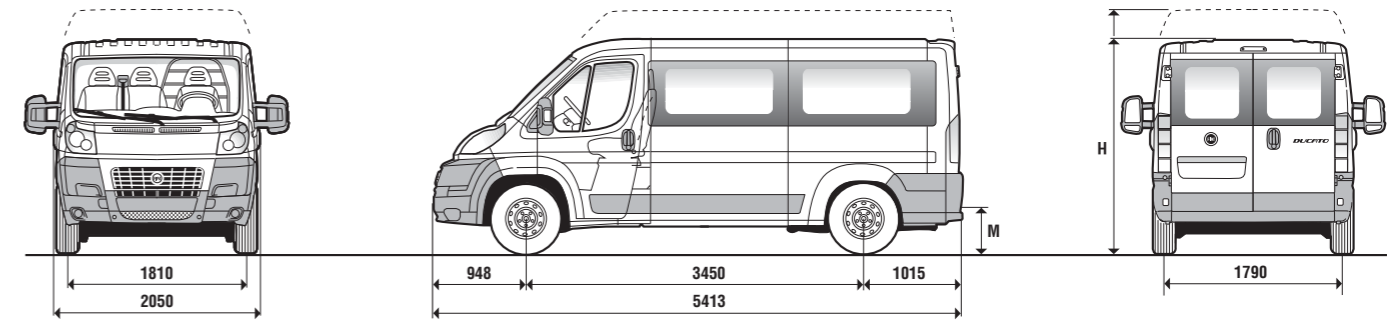
Dimensions mm	Van 30		Van 33		Van 35	
	Standard	High	Standard	High	Standard	High
Wheelbase	3450	3450	3450	3450	3450	3450
Maximum length	5413	5413	5413	5413	5413	5413
Maximum width	2050	2050	2050	2050	2050	2050
Front track	1810	1810	1810	1810	1810	1810
Rear track	1790	1790	1790	1790	1790	1790
H Maximum height (unladen)	2254	2524	2254	2524	2254	2524
Front projection	948	948	948	948	948	948
Rear projection	1015	1015	1015	1015	1015	1015
Tailgate						
Width	1562	1562	1562	1562	1562	1562
Height	1520	1790	1520	1790	1520	1790
Side door						
Width	1250	1250	1250	1250	1250	1250
Height	1485	1755	1485	1755	1485	1755
Load compartment						
Maximum length	3120	3120	3120	3120	3120	3120
Maximum width	1870	1870	1870	1870	1870	1870
Width between wheel arches	1422	1422	1422	1422	1422	1422
Maximum height	1662	1932	1662	1932	1662	1932
M Height of load threshold (unladen)	535	535	535	535	535	535

Volume m ³ 10	Van 30				Van 33				Van 35			
	115 Multijet	130 Multijet	150 Multijet	180 Multijet	115 Multijet	130 Multijet	150 Multijet	180 Multijet	115 Multijet	130 Multijet	150 Multijet	180 Multijet
Engine versions	115 Multijet	130 Multijet	150 Multijet	180 Multijet	115 Multijet	130 Multijet	150 Multijet	180 Multijet	115 Multijet	130 Multijet	150 Multijet	180 Multijet
Vehicle weight [▲] tare (kg)	1885	1900	1900	1950	1885	1900	1900	1950	1885	1900	1900	1950
Capacity [▼] (kg)	1115	1100	1100	1050	1415	1400	1400	1350	1615	1600	1600	1550
GVW (kg)	3000	3000	3000	3000	3300	3300	3300	3300	3500	3500	3500	3500
Max. speed (km/h)	148	155	162	171	148	155	162	171	148	155	162	171
NEDC consumption (l/100 km)	7	7,2	7,2	8	7	7,2	7,2	8	7	7,2	7,2	8
NEDC CO ₂ emissions (g/km)	185	189	189	209	185	189	189	209	185	189	189	209

Volume m ³ 11,5	Van 30 High				Van 33 High				Van 35 High			
	115 Multijet	130 Multijet	150 Multijet	180 Multijet	115 Multijet	130 Multijet	150 Multijet	180 Multijet	115 Multijet	130 Multijet	150 Multijet	180 Multijet
Engine versions	115 Multijet	130 Multijet	150 Multijet	180 Multijet	115 Multijet	130 Multijet	150 Multijet	180 Multijet	115 Multijet	130 Multijet	150 Multijet	180 Multijet
Vehicle weight [▲] tare (kg)	1910	1925	1925	1975	1910	1925	1925	1975	1910	1925	1925	1975
Capacity [▼] (kg)	1090	1075	1075	1025	1390	1375	1375	1325	1590	1575	1575	1525
GVW (kg)	3000	3000	3000	3000	3300	3300	3300	3300	3500	3500	3500	3500
Max. speed (km/h)	143	150	157	166	143	150	157	166	143	150	157	166
NEDC consumption (l/100 km)	7	7,2	7,2	8,5	7	7,2	7,2	8,5	7	7,2	7,2	8,5
NEDC CO ₂ emissions (g/km)	185	189	189	224	185	189	189	224	185	189	189	224

▲ Kerb weight with supplies, spare wheel, tools and accessories ▼ Including driver

GLAZED/SEMI-GLAZED VANS 3450 MM WHEELBASE.



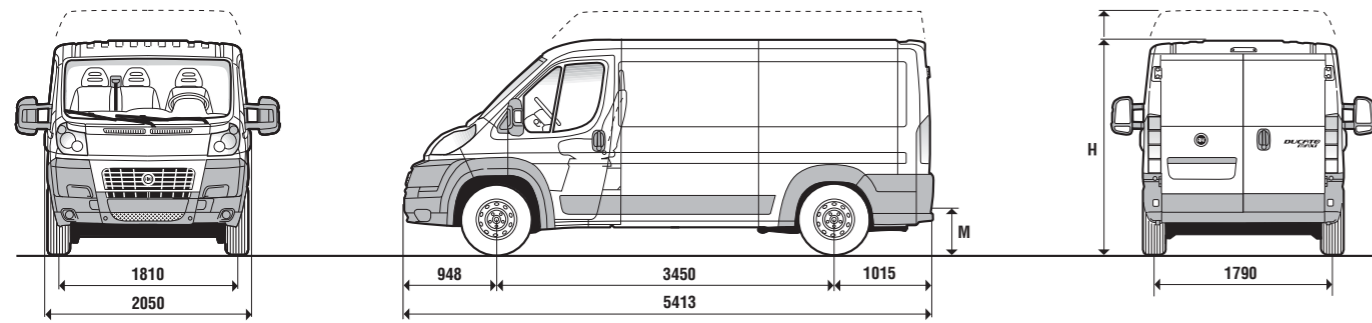
Dimensions mm	Van 30		Van 33		Van 35	
	Standard	High	Standard	High	Standard	High
Wheelbase	3450	3450	3450	3450	3450	3450
Maximum length	5413	5413	5413	5413	5413	5413
Maximum width	2050	2050	2050	2050	2050	2050
Front track	1810	1810	1810	1810	1810	1810
Rear track	1790	1790	1790	1790	1790	1790
H Maximum height (unladen)	2254	2524	2254	2524	2254	2524
Front projection	948	948	948	948	948	948
Rear projection	1015	1015	1015	1015	1015	1015
Tailgate						
Width	1562	1562	1562	1562	1562	1562
Height	1520	1790	1520	1790	1520	1790
Side door						
Width	1250	1250	1250	1250	1250	1250
Height	1485	1755	1485	1755	1485	1755
Load compartment						
Maximum length	3120	3120	3120	3120	3120	3120
Maximum width	1870	1870	1870	1870	1870	1870
Width between wheel arches	1422	1422	1422	1422	1422	1422
Maximum height	1662	1932	1662	1932	1662	1932
M Height of load threshold (unladen)	535	535	535	535	535	535

Volume m ³ 10	Van 30				Van 33				Van 35			
	115 Multijet	130 Multijet	150 Multijet	180 Multijet	115 Multijet	130 Multijet	150 Multijet	180 Multijet	115 Multijet	130 Multijet	150 Multijet	180 Multijet
Engine versions	115 Multijet	130 Multijet	150 Multijet	180 Multijet	115 Multijet	130 Multijet	150 Multijet	180 Multijet	115 Multijet	130 Multijet	150 Multijet	180 Multijet
Vehicle weight [▲] tare (kg)	1885	1900	1900	1950	1885	1900	1900	1950	1885	1900	1900	1950
Capacity [▼] (kg)	1115	1100	1100	1050	1415	1400	1400	1350	1615	1600	1600	1550
GVW (kg)	3000	3000	3000	3000	3300	3300	3300	3300	3500	3500	3500	3500
Max. speed (km/h)	148	155	162	171	148	155	162	171	148	155	162	171
NEDC consumption (l/100 km)	7	7,2	7,2	8	7	7,2	7,2	8	7	7,2	7,2	8
NEDC CO ₂ emissions (g/km)	185	189	189	209	185	189	189	209	185	189	189	209

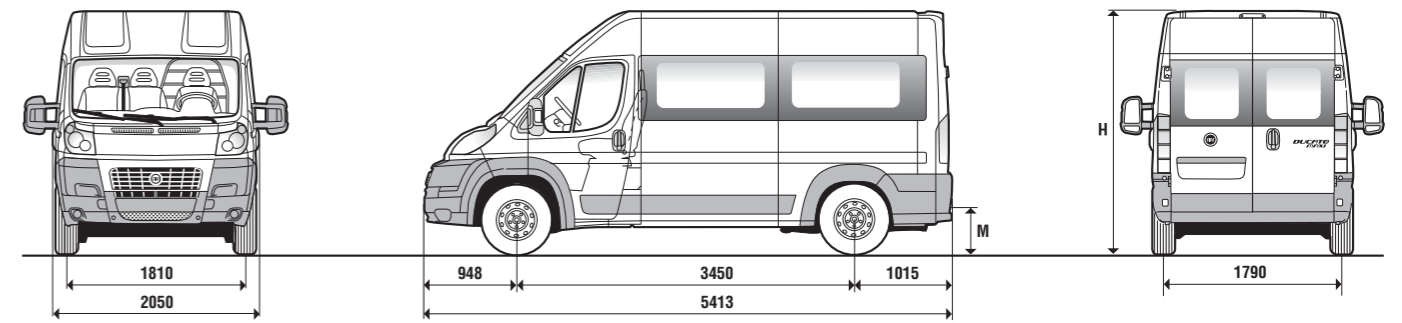
Volume m ³ 11,5	Van 33 High*				Van 35 High*			
	115 Multijet	130 Multijet	150 Multijet	180 Multijet	115 Multijet	130 Multijet	150 Multijet	180 Multijet
Engine versions	115 Multijet	130 Multijet	150 Multijet	180 Multijet	115 Multijet	130 Multijet	150 Multijet	180 Multijet
Vehicle weight [▲] tare (kg)	1910	1925	1925	1975	1910	1925	1925	1975
Capacity [▼] (kg)	1390	1375	1375	1325	1590	1575	1575	1525
GVW (kg)	3300	3300	3300	3300	3500	3500	3500	3500
Max. speed (km/h)	143	150	157	166	143	150	157	166
NEDC consumption (l/100 km)	7	7,2	7,2	8,5	7	7,2	7,2	8,5
NEDC CO ₂ emissions (g/km)	185	189	189	224	185	189	189	224

* Semi-glazed version availability ▲ Kerb weight with supplies, spare wheel, tools and accessories ▼ Including driver

MAXI VANS 3450 MM WHEELBASE.



GLAZED/SEMI-GLAZED VANS 3450 MM WHEELBASE.



Dimensions mm	Maxi van 35		High Maxi van 40
	Standard	High	
Wheelbase	3450	3450	3450
Maximum length	5413	5413	5413
Maximum width	2050	2050	2050
Front track	1810	1810	1810
Rear track	1790	1790	1790
H Maximum height (unladen)	2269	2539	2539
Front projection	948	948	948
Rear projection	1015	1015	1015
Tailgate			
Width	1562	1562	1562
Height	1520	1790	1790
Side door			
Width	1250	1250	1250
Height	1485	1755	1755
Load compartment			
Maximum length	3120	3120	3120
Maximum width	1870	1870	1870
Width between wheel arches	1422	1422	1422
Maximum height	1662	1932	1932
M Height of load threshold (unladen)	550	550	550

Dimensions mm	High Maxi van 35		High Maxi van 40	
	Wheelbase	3450		3450
Maximum length	5413		5413	
Maximum width	2050		2050	
Front track	1810		1810	
Rear track	1790		1790	
H Maximum height (unladen)	2539		2539	
Front projection	948		948	
Rear projection	1015		1015	
Tailgate				
Width	1562		1562	
Height	1790		1790	
Side door				
Width	1250		1250	
Height	1755		1755	
Load compartment				
Maximum length	3120		3120	
Maximum width	1870		1870	
Width between wheel arches	1422		1422	
Maximum height	1932		1932	
M Height of load threshold (unladen)	550		550	

Volume m ³ 10	Maxi van 35		
	130 Multijet	150 Multijet	180 Multijet
Engine versions	130 Multijet	150 Multijet	180 Multijet
Vehicle weight [▲] tare (kg)	1940	1940	1990
Capacity [▼] (kg)	1560	1560	1510
GVW (kg)	3500	3500	3500
Max. speed (km/h)	155	162	171
NEDC consumption (l/100 km)	7,2	7,2	8,4
NEDC CO ₂ emissions (g/km)	189	189	222

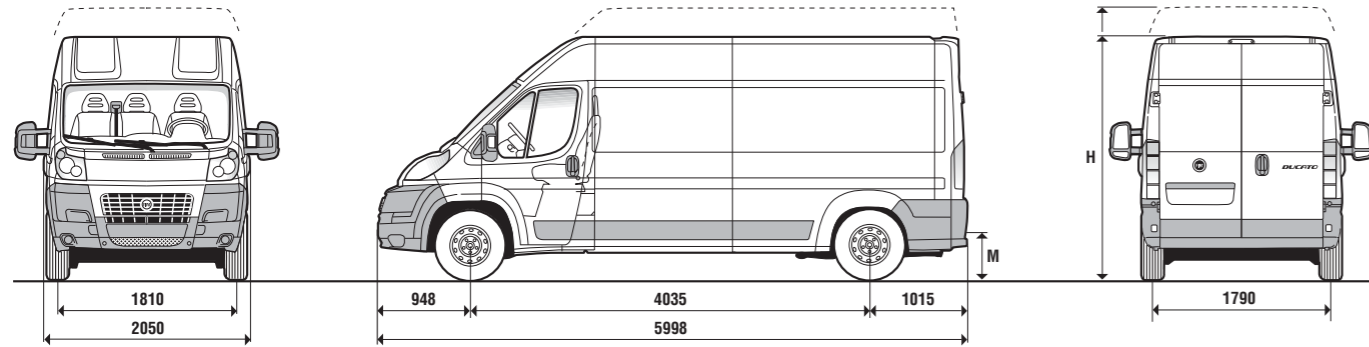
Volume m ³ 11,5	High Maxi van 35*			High Maxi van 40*		
	130 Multijet	150 Multijet	180 Multijet	130 Multijet	150 Multijet	180 Multijet
Engine versions	130 Multijet	150 Multijet	180 Multijet	130 Multijet	150 Multijet	180 Multijet
Vehicle weight [▲] tare (kg)	1965	1965	2015	2010	2010	2060
Capacity [▼] (kg)	1535	1535	1485	1995	1995	1945
GVW (kg)	3500	3500	3500	4005	4005	4005
Max. speed (km/h)	150	157	166	150	157	166
NEDC consumption (l/100 km)	7,4	7,4	8	7,4	7,4	8
NEDC CO ₂ emissions (g/km)	195	195	209	195	195	209

Volume m ³ 11,5	High Maxi van 35			High Maxi van 40		
	130 Multijet	150 Multijet	180 Multijet	130 Multijet	150 Multijet	180 Multijet
Engine versions	130 Multijet	150 Multijet	180 Multijet	130 Multijet	150 Multijet	180 Multijet
Vehicle weight [▲] tare (kg)	1965	1965	2015	2010	2010	2060
Portata [▼] (kg)	1535	1535	1485	1995	1995	1945
GVW (kg)	3500	3500	3500	4005	4005	4005
Max. speed (km/h)	150	157	166	150	157	166
NEDC consumption (l/100 km)	7,4	7,4	8,4	7,4	7,4	8,4
NEDC CO ₂ emissions (g/km)	195	195	222	195	195	222

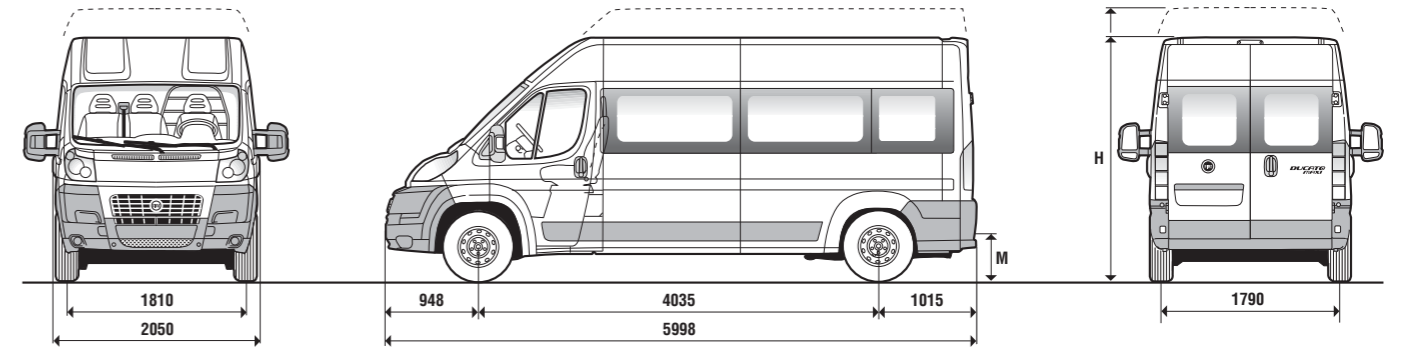
▲ Kerb weight with supplies, spare wheel, tools and accessories ▼ Including driver

* Semi-glazed version availability
▲ Kerb weight with supplies, spare wheel, tools and accessories ▼ Including driver

MAXI VANS 4035 MM WHEELBASE.



GLAZED/SEMI-GLAZED VANS 4035 MM WHEELBASE.



Dimensions mm	Van 33		Van 35	
	High	Super High	High	Super High
Wheelbase	4035	4035	4035	4035
Maximum length	5998	5998	5998	5998
Maximum width	2050	2050	2050	2050
Front track	1810	1810	1810	1810
Rear track	1790	1790	1790	1790
H Maximum height (unladen)	2524	2764	2524	2764
Front projection	948	948	948	948
Rear projection	1015	1015	1015	1015
Tailgate				
Width	1562	1562	1562	1562
Height	1790	2030	1790	2030
Side door				
Width	1250	1250	1250	1250
Height	1755	1755	1755	1755
Load compartment				
Maximum length	3705	3705	3705	3705
Maximum width	1870	1870	1870	1870
Width between wheel arches	1422	1422	1422	1422
Maximum height	1932	2172	1932	2172
M Height of load threshold (unladen)	535	535	535	535

Dimensions mm	Van 33		Van 35	
	High	Super High	High	Super High
Wheelbase	4035	4035	4035	4035
Maximum length	5998	5998	5998	5998
Maximum width	2050	2050	2050	2050
Front track	1810	1810	1810	1810
Rear track	1790	1790	1790	1790
H Maximum height (unladen)	2524	2764	2524	2764
Front projection	948	948	948	948
Rear projection	1015	1015	1015	1015
Tailgate				
Width	1562	1562	1562	1562
Height	1790	2030	1790	2030
Side door				
Width	1250	1250	1250	1250
Height	1755	1755	1755	1755
Load compartment				
Maximum length	3705	3705	3705	3705
Maximum width	1870	1870	1870	1870
Width between wheel arches	1422	1422	1422	1422
Maximum height	1932	2172	1932	2172
M Height of load threshold (unladen)	535	535	535	535

Volume m ³ 13	High van 33				High van 35			
	115 Multijet	130 Multijet	150 Multijet	180 Multijet	115 Multijet	130 Multijet	150 Multijet	180 Multijet
Engine versions	115 Multijet	130 Multijet	150 Multijet	180 Multijet	115 Multijet	130 Multijet	150 Multijet	180 Multijet
Vehicle weight* tare (kg)	1960	1975	1975	2025	1960	1975	1975	2025
Capacity* (kg)	1340	1325	1325	1275	1540	1525	1525	1475
GVW (kg)	3300	3300	3300	3300	3500	3500	3500	3500
Max. speed (km/h)	143	150	157	166	143	150	157	166
NEDC consumption (l/100 km)	7,2	7,4	7,4	8,5	7,2	7,4	7,4	8,5
NEDC CO ₂ emissions (g/km)	190	195	195	224	190	195	195	224

Volume m ³ 13	High van 33*				High van 35*			
	115 Multijet	130 Multijet	150 Multijet	180 Multijet	115 Multijet	130 Multijet	150 Multijet	180 Multijet
Engine versions	115 Multijet	130 Multijet	150 Multijet	180 Multijet	115 Multijet	130 Multijet	150 Multijet	180 Multijet
Vehicle weight* tare (kg)	1960	1975	1975	2025	1960	1975	1975	2025
Capacity* (kg)	1340	1325	1325	1275	1540	1525	1525	1475
GVW (kg)	3300	3300	3300	3300	3500	3500	3500	3500
Max. speed (km/h)	143	150	157	166	143	150	157	166
NEDC consumption (l/100 km)	7,2	7,4	7,4	8,5	7,2	7,4	7,4	8,5
NEDC CO ₂ emissions (g/km)	190	195	195	224	190	195	195	224

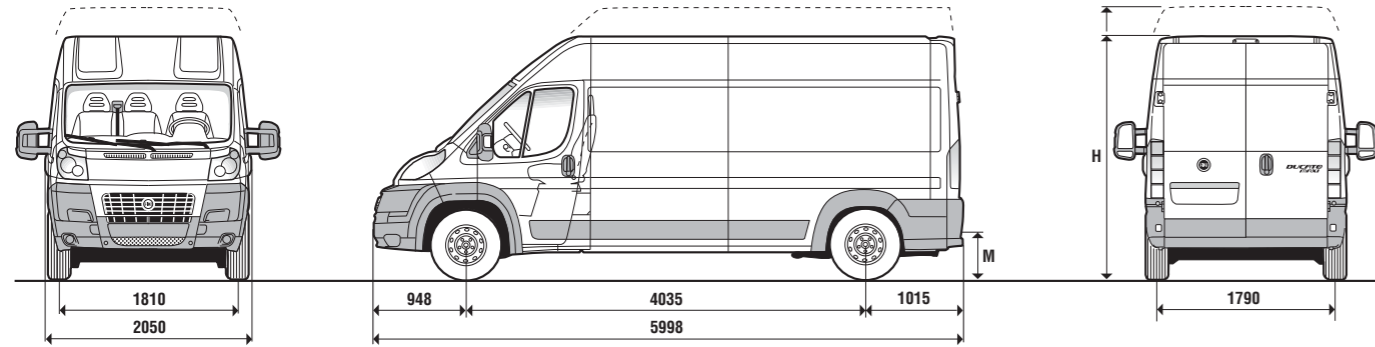
Volume m ³ 15	Super High van 33				Super High van 35			
	115 Multijet	130 Multijet	150 Multijet	180 Multijet	115 Multijet	130 Multijet	150 Multijet	180 Multijet
Engine versions	115 Multijet	130 Multijet	150 Multijet	180 Multijet	115 Multijet	130 Multijet	150 Multijet	180 Multijet
Vehicle weight* tare (kg)	1985	2000	2000	2050	1985	2000	2000	2050
Portata* (kg)	1315	1300	1300	1250	1515	1500	1500	1450
GVW (kg)	3300	3300	3300	3300	3500	3500	3500	3500
Max. speed (km/h)	138	145	152	161	138	145	152	161
NEDC consumption (l/100 km)	7,2	7,4	7,4	8,5	7,2	7,4	7,4	8,5
NEDC CO ₂ emissions (g/km)	190	195	195	224	190	195	195	224

Volume m ³ 15	Super High van 33				Super High van 35			
	115 Multijet	130 Multijet	150 Multijet	180 Multijet	115 Multijet	130 Multijet	150 Multijet	180 Multijet
Engine versions	115 Multijet	130 Multijet	150 Multijet	180 Multijet	115 Multijet	130 Multijet	150 Multijet	180 Multijet
Vehicle weight* tare (kg)	1985	2000	2000	2050	1985	2000	2000	2050
Portata* (kg)	1315	1300	1300	1250	1515	1500	1500	1450
GVW (kg)	3300	3300	3300	3300	3500	3500	3500	3500
Max. speed (km/h)	138	145	152	161	138	145	152	161
NEDC consumption (l/100 km)	7,2	7,4	7,4	8,5	7,2	7,4	7,4	8,5
NEDC CO ₂ emissions (g/km)	190	195	195	224	190	195	195	224

* Kerb weight with supplies, spare wheel, tools and accessories † Including driver

* Semi-glazed version availability † Kerb weight with supplies, spare wheel, tools and accessories † Including driver

MAXI VANS 4035 MM WHEELBASE.



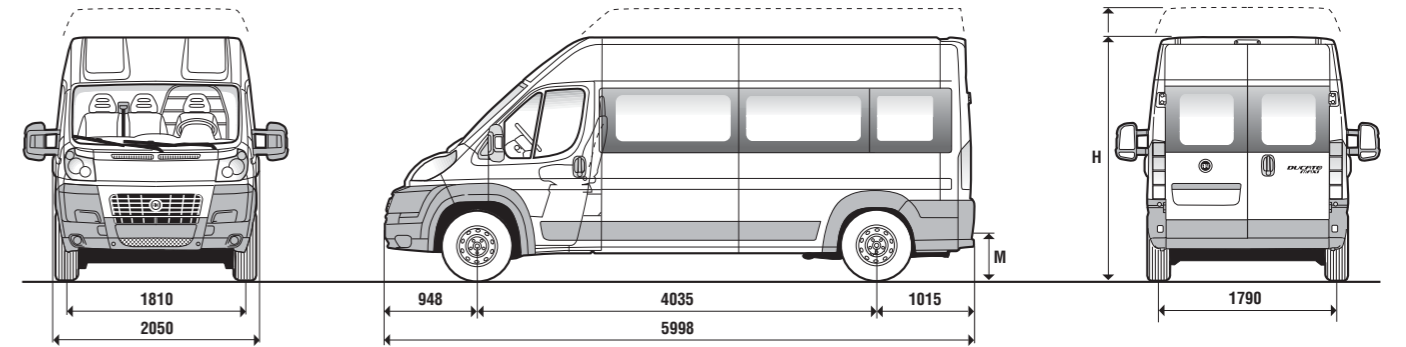
Dimensions mm	Maxi van 35		Maxi van 40	
	High	Super High	High	Super High
Wheelbase	4035	4035	4035	4035
Maximum length	5998	5998	5998	5998
Maximum width	2050	2050	2050	2050
Front track	1810	1810	1810	1810
Rear track	1790	1790	1790	1790
H Maximum height (unladen)	2534	2774	2534	2774
Front projection	948	948	948	948
Rear projection	1015	1015	1015	1015
Tailgate				
Width	1562	1562	1562	1562
Height	1790	2030	1790	2030
Side door				
Width	1250	1250	1250	1250
Height	1755	1755	1755	1755
Load compartment				
Maximum length	3705	3705	3705	3705
Maximum width	1870	1870	1870	1870
Width between wheel arches	1422	1422	1422	1422
Maximum height	1932	2172	1932	2172
M Height of load threshold (unladen)	550	550	550	550

Volume m ³ 13	High Maxi van 35			High Maxi van 40		
	130 Multijet	150 Multijet	180 Multijet	130 Multijet	150 Multijet	180 Multijet
Engine versions	130 Multijet	150 Multijet	180 Multijet	130 Multijet	150 Multijet	180 Multijet
Vehicle weight [▲] tare (kg)	2015	2015	2065	2060	2060	2110
Capacity [▼] (kg)	1485	1485	1435	1945	1945	1895
GVW (kg)	3500	3500	3500	4005	4005	4005
Max. speed (km/h)	150	157	166	150	157	166
NEDC consumption (l/100 km)	7,4	7,4	8,4	7,4	7,4	8,4
NEDC CO ₂ emissions (g/km)	195	195	222	195	195	222

Volume m ³ 15	Super High Maxi van 35			Super High Maxi van 40		
	130 Multijet	150 Multijet	180 Multijet	130 Multijet	150 Multijet	180 Multijet
Engine versions	130 Multijet	150 Multijet	180 Multijet	130 Multijet	150 Multijet	180 Multijet
Vehicle weight [▲] tare (kg)	2040	2040	2090	2085	2085	2135
Capacity [▼] (kg)	1460	1460	1410	1920	1920	1870
GVW (kg)	3500	3500	3500	4005	4005	4005
Max. speed (km/h)	145	152	161	145	152	161
NEDC consumption (l/100 km)	7,4	7,4	8,4	7,4	7,4	8,4
NEDC CO ₂ emissions (g/km)	195	195	222	195	195	222

▲ Kerb weight with supplies, spare wheel, tools and accessories ▼ Including driver

GLAZED/SEMI-GLAZED MAXI VANS 4035 MM WHEELBASE



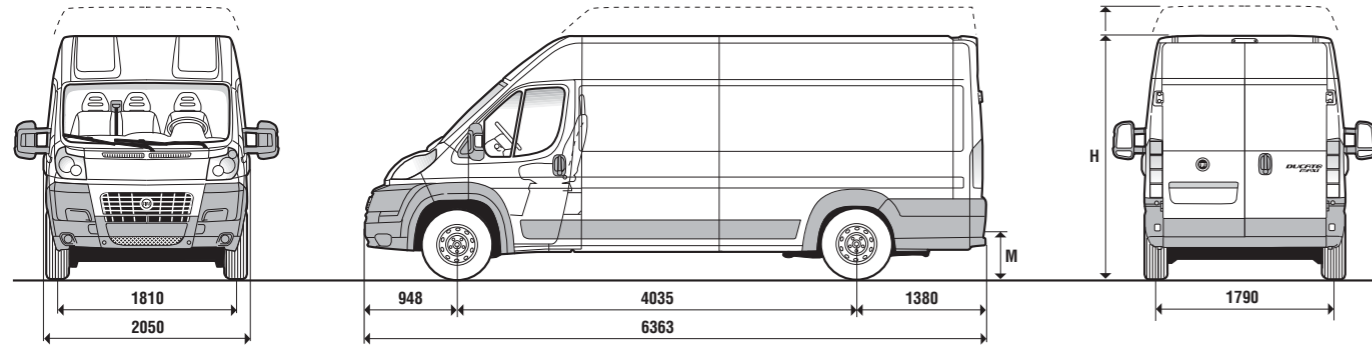
Dimensions mm	Maxi van 35		Maxi van 40	
	High	Super High	High	Super High
Wheelbase	4035	4035	4035	4035
Maximum length	5998	5998	5998	5998
Maximum width	2050	2050	2050	2050
Front track	1810	1810	1810	1810
Rear track	1790	1790	1790	1790
H Maximum height (unladen)	2534	2774	2534	2774
Front projection	948	948	948	948
Rear projection	1015	1015	1015	1015
Tailgate				
Width	1562	1562	1562	1562
Height	1790	2030	1790	2030
Side door				
Width	1250	1250	1250	1250
Height	1755	1755	1755	1755
Load compartment				
Maximum length	3705	3705	3705	3705
Maximum width	1870	1870	1870	1870
Width between wheel arches	1422	1422	1422	1422
Maximum height	1932	2172	1932	2172
M Height of load threshold (unladen)	550	550	550	550

Volume m ³ 13	High Maxi van 35*			High Maxi van 40*		
	130 Multijet	150 Multijet	180 Multijet	130 Multijet	150 Multijet	180 Multijet
Engine versions	130 Multijet	150 Multijet	180 Multijet	130 Multijet	150 Multijet	180 Multijet
Vehicle weight [▲] tare (kg)	2015	2015	2065	2060	2060	2110
Capacity [▼] (kg)	1485	1485	1435	1945	1945	1895
GVW (kg)	3500	3500	3500	4005	4005	4005
Max. speed (km/h)	150	157	166	150	157	166
NEDC consumption (l/100 km)	7,4	7,4	8,4	7,4	7,4	8,4
NEDC CO ₂ emissions (g/km)	195	195	222	195	195	222

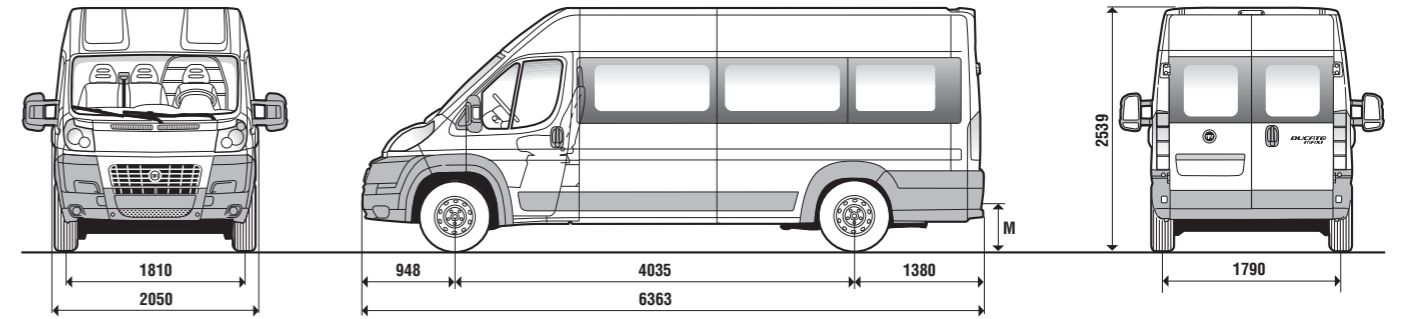
Volume m ³ 15	Super High Maxi van 35			Super High Maxi van 40		
	130 Multijet	150 Multijet	180 Multijet	130 Multijet	150 Multijet	180 Multijet
Engine versions	130 Multijet	150 Multijet	180 Multijet	130 Multijet	150 Multijet	180 Multijet
Vehicle weight [▲] tare (kg)	2040	2040	2090	2085	2085	2135
Capacity [▼] (kg)	1460	1460	1410	1920	1920	1870
GVW (kg)	3500	3500	3500	4005	4005	4005
Max. speed (km/h)	145	152	161	145	152	161
NEDC consumption (l/100 km)	7,4	7,4	8,4	7,4	7,4	8,4
NEDC CO ₂ emissions (g/km)	195	195	222	195	195	222

* Semi-glazed version availability ▲ Kerb weight with supplies, spare wheel, tools and accessories ▼ Including driver

XL MAXI VANS 4035 MM WHEELBASE.



XL MAXI GLAZED VANS 4035 MM WHEELBASE.



Dimensions mm	XL Maxi van 35		XL Maxi van 40	
	High	Super High	High	Super High
Wheelbase	4035	4035	4035	4035
Maximum length	6363	6363	6363	6363
Maximum width	2050	2050	2050	2050
Front track	1810	1810	1810	1810
Rear track	1790	1790	1790	1790
H Maximum height (unladen)	2539	2779	2539	2779
Front projection	948	948	948	948
Rear projection	1380	1380	1380	1380
Tailgate				
Width	1562	1562	1562	1562
Height	1790	2030	1790	2030
Side door				
Width	1250	1250	1250	1250
Height	1755	1755	1755	1755
Load compartment				
Maximum length	4070	4070	4070	4070
Larghezza massima	1870	1870	1870	1870
Larghezza tra passaruote	1422	1422	1422	1422
Maximum height	1932	2172	1932	2172
M Height of load threshold (unladen)	550	550	550	550

Dimensions mm	XL Maxi van 35		XL Maxi van 40	
	High	High	High	High
Wheelbase	4035	4035	4035	4035
Maximum length	6363	6363	6363	6363
Maximum width	2050	2050	2050	2050
Rear track	1810	1810	1810	1810
Carreggiata posteriore	1790	1790	1790	1790
Maximum height (when unladen)	2539	2539	2539	2539
Front projection	948	948	948	948
Rear projection	1380	1380	1380	1380
Tailgate				
Width	1562	1562	1562	1562
Height	1790	1790	1790	1790
Side door				
Width	1250	1250	1250	1250
Height	1755	1755	1755	1755
Load compartment				
Maximum length	4070	4070	4070	4070
Larghezza massima	1870	1870	1870	1870
Larghezza tra passaruote	1422	1422	1422	1422
Maximum height	1932	1932	1932	1932
M Height of load threshold (unladen)	550	550	550	550

Volume m ³ 15	High XL Maxi van 35			High XL Maxi van 40		
	130 Multijet	150 Multijet	180 Multijet	130 Multijet	150 Multijet	180 Multijet
Engine versions	130 Multijet	150 Multijet	180 Multijet	130 Multijet	150 Multijet	180 Multijet
Vehicle weight [▲] tare (kg)	2060	2060	2110	2105	2105	2155
Capacity [▼] (kg)	1440	1440	1390	1900	1900	1850
GVW (kg)	3500	3500	3500	4005	4005	4005
Max. speed (km/h)	150	157	166	150	157	166
NEDC consumption (l/100 km)	7,4	7,4	8,4	7,4	7,4	8,4
NEDC CO ₂ emissions (g/km)	195	195	222	195	195	222

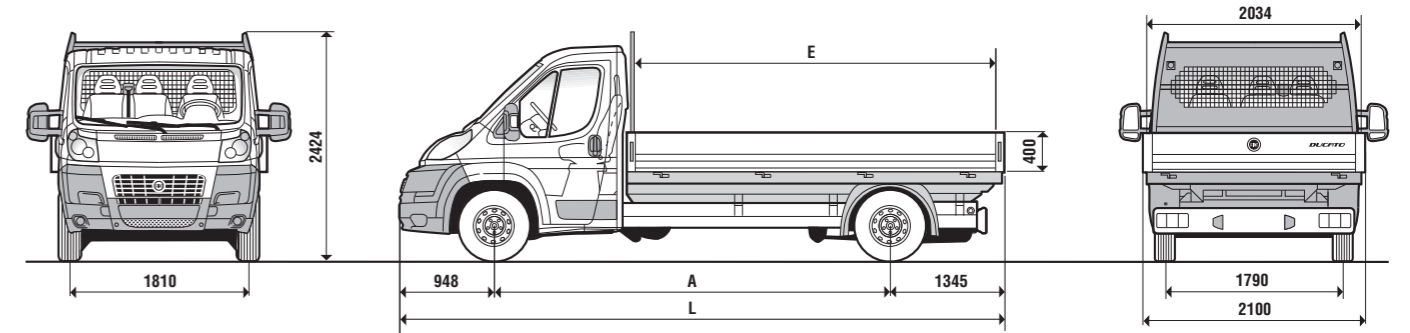
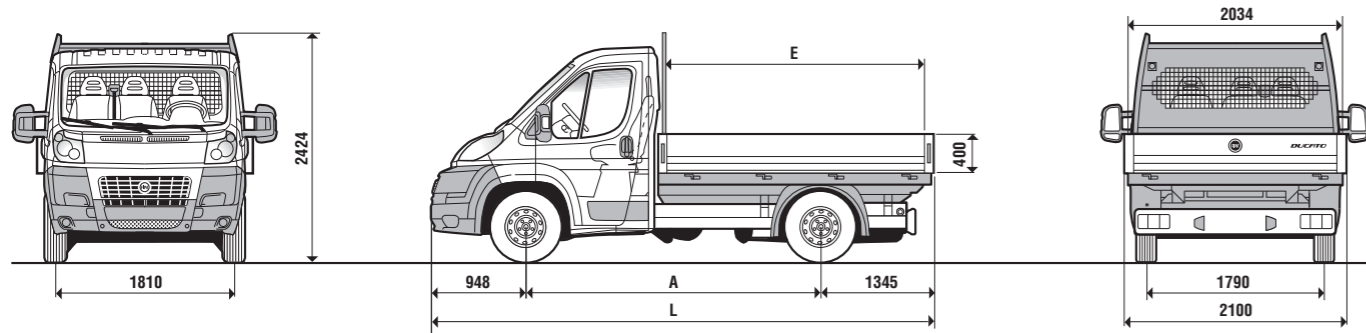
Volume m ³ 15	High XL Maxi van 35			High XL Maxi van 40		
	130 Multijet	150 Multijet	180 Multijet	130 Multijet	150 Multijet	180 Multijet
Engine versions	130 Multijet	150 Multijet	180 Multijet	130 Multijet	150 Multijet	180 Multijet
Vehicle weight [▲] tare (kg)	2060	2060	2110	2105	2105	2155
Capacity [▼] (kg)	1440	1440	1390	1900	1900	1850
GVW (kg)	3500	3500	3500	4005	4005	4005
Max. speed (km/h)	150	157	166	150	157	166
NEDC consumption (l/100 km)	7,4	7,4	8,4	7,4	7,4	8,4
NEDC CO ₂ emissions (g/km)	195	195	222	195	195	222

Volume m ³ 17	Super High XL Maxi van 35			Super High XL Maxi van 40		
	130 Multijet	150 Multijet	180 Multijet	130 Multijet	150 Multijet	180 Multijet
Engine versions	130 Multijet	150 Multijet	180 Multijet	130 Multijet	150 Multijet	180 Multijet
Vehicle weight [▲] tare (kg)	2090	2090	2140	2135	2135	2185
Portata [▼] (kg)	1410	1410	1360	1870	1870	1820
GVW (kg)	3500	3500	3500	4005	4005	4005
Max. speed (km/h)	145	152	161	145	152	161
NEDC consumption (l/100 km)	7,4	7,4	8,4	7,4	7,4	8,4
NEDC CO ₂ emissions (g/km)	195	195	222	195	195	222

▲ Kerb weight with supplies, spare wheel, tools and accessories ▼ Including driver

▲ Kerb weight with supplies, spare wheel, tools and accessories ▼ Including driver

TRUCKS.



Dimensions mm	Truck 30				Truck 33				Truck 35			
A Wheelbase	3000	3450	3800		3000	3450	3800		3000	3450	3800	
L Maximum length	5293	5743	6093		5293	5743	6093		5293	5743	6093	
Maximum width	2100	2100	2100		2100	2100	2100		2100	2100	2100	
Front track	1810	1810	1810		1810	1810	1810		1810	1810	1810	
Rear track	1790	1790	1790		1790	1790	1790		1790	1790	1790	
Maximum height (when unladen)	2424	2424	2424		2424	2424	2424		2424	2424	2424	
Front projection	948	948	948		948	948	948		948	948	948	
Rear projection	1345	1345	1345		1345	1345	1345		1345	1345	1345	
E Flatbed internal length	2798	3248	3598		2798	3248	3598		2798	3248	3598	
Flatbed internal width	2034	2034	2034		2034	2034	2034		2034	2034	2034	
Side height	400	400	400		400	400	400		400	400	400	

Dimensions mm	Truck 33				Truck 35							
A Wheelbase	4035				4035				4035 XL			
L Maximum length	6328				6328				6693			
Maximum width	2100				2100				2100			
Front track	1810				1810				1810			
Rear track	1790				1790				1790			
Maximum height (when unladen)	2424				2424				2424			
Front projection	948				948				948			
Rear projection	1345				1345				1345			
E Flatbed internal length	3833				3833				4198			
Flatbed internal width	2034				2034				2034			
Side height	400				400				400			

Wheelbase 3000 mm Loading surface: m ² 5,7	Truck 30				Truck 33				Truck 35			
Engine versions	115 Multijet	130 Multijet	150 Multijet	180 Multijet	115 Multijet	130 Multijet	150 Multijet	180 Multijet	115 Multijet	130 Multijet	150 Multijet	180 Multijet
Vehicle weight [▲] tare (kg)	1795	1810	1810	1860	1795	1810	1810	1860	1795	1810	1810	1860
Capacity [▼] (kg)	1125	1125	1125	1140	1435	1435	1435	1430	1535	1535	1535	1535
GVW (kg)	2920	2935	2935	3000	3230	3245	3245	3290	3330	3345	3345	3395
Max. speed (km/h)	148	155	157	171	148	155	157	171	148	155	157	171
NEDC consumption (l/100 km)	6,8	7,1	7,1	8	6,8	7,1	7,1	8	6,8	7,1	7,1	8
NEDC CO ₂ emissions (g/km)	179	186	186	209	179	186	186	209	179	186	186	209

Wheelbase 4035 mm Loading surface: m ² 7,8	Truck 33				Truck 35			
Engine versions	115 Multijet	130 Multijet	150 Multijet	180 Multijet	115 Multijet	130 Multijet	150 Multijet	180 Multijet
Vehicle weight [▲] tare (kg)	1895	1910	1910	1960	1895	1910	1910	1960
Capacity [▼] (kg)	1405	1390	1390	1340	1605	1590	1590	1540
GVW (kg)	3300	3300	3300	3300	3500	3500	3500	3500
Max. speed (km/h)	148	155	157	171	148	155	157	171
NEDC consumption (l/100 km)	7	7,2	7,2	8	7	7,2	7,2	8
NEDC CO ₂ emissions (g/km)	185	189	189	209	185	189	189	209

Wheelbase 3450 mm Loading surface: m ² 6,6	Truck 30				Truck 33				Truck 35			
Engine versions	115 Multijet	130 Multijet	150 Multijet	180 Multijet	115 Multijet	130 Multijet	150 Multijet	180 Multijet	115 Multijet	130 Multijet	150 Multijet	180 Multijet
Vehicle weight [▲] tare (kg)	1840	1855	1855	1905	1840	1855	1855	1905	1840	1855	1855	1905
Capacity [▼] (kg)	1160	1145	1145	1095	1460	1445	1445	1395	1620	1620	1620	1595
GVW (kg)	3000	3000	3000	3000	3300	3300	3300	3300	3460	3475	3475	3500
Max. speed (km/h)	148	155	157	171	148	155	157	171	148	155	157	171
NEDC consumption (l/100 km)	6,8	7,1	7,1	8	6,8	7,1	7,1	8	6,8	7,1	7,1	8
NEDC CO ₂ emissions (g/km)	179	186	186	209	179	186	186	209	179	186	186	209

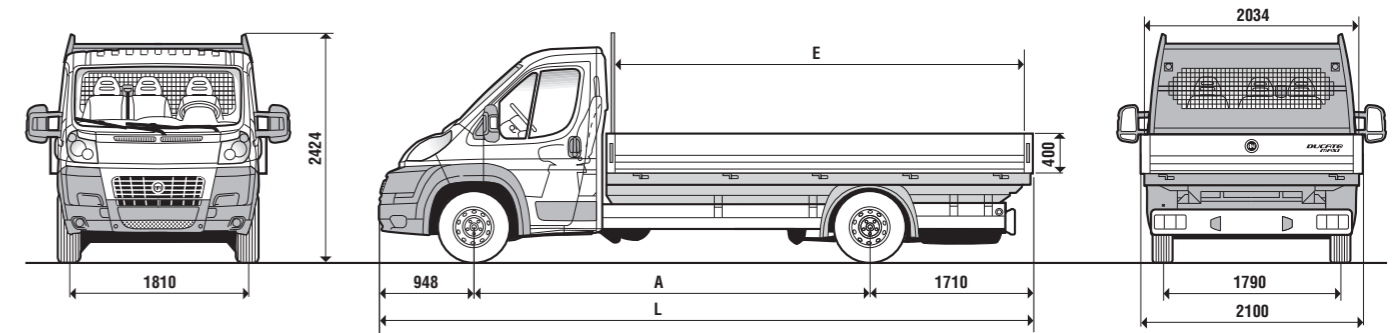
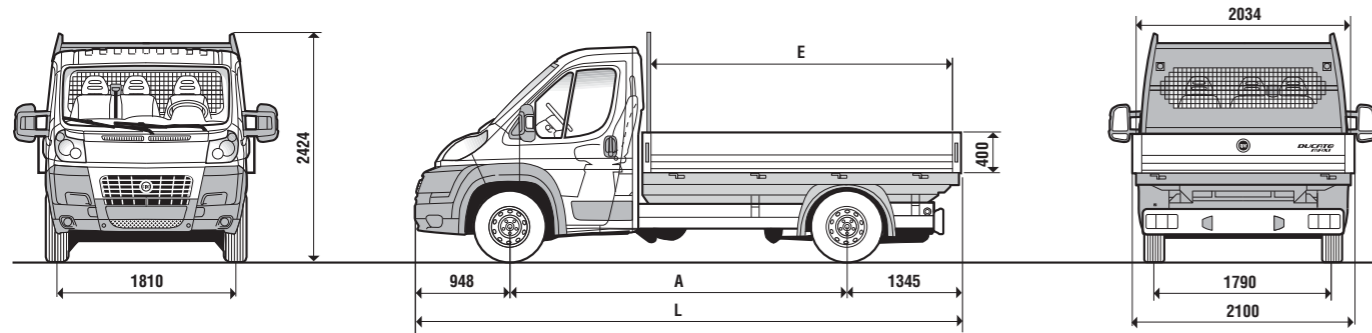
Wheelbase 4035 mm XL Loading surface: m ² 8,5	Truck 35			
Engine versions	115 Multijet	130 Multijet	150 Multijet	180 Multijet
Vehicle weight [▲] tare (kg)	1930	1945	1945	1995
Capacity [▼] (kg)	1565	1555	1555	1505
GVW (kg)	3495	3500	3500	3500
Max. speed (km/h)	148	155	157	171
NEDC consumption (l/100 km)	7	7,2	7,2	8,5
NEDC CO ₂ emissions (g/km)	185	189	189	224

Wheelbase 3800 mm Loading surface: m ² 7,3	Truck 30				Truck 33				Truck 35			
Engine versions	115 Multijet	130 Multijet	150 Multijet	180 Multijet	115 Multijet	130 Multijet	150 Multijet	180 Multijet	115 Multijet	130 Multijet	150 Multijet	180 Multijet
Vehicle weight [▲] tare (kg)	1875	1890	1890	1940	1875	1890	1890	1940	1875	1890	1890	1940
Capacity [▼] (kg)	1125	1110	1110	1425	1410	1410	1410	1360	1625	1610	1610	1560
GVW (kg)	3000	3000	3000	3300	3300	3300	3300	3300	3500	3500	3500	3500
Max. speed (km/h)	148	155	157	148	155	157	171	148	155	157	171	148
NEDC consumption (l/100 km)	7	7,2	7,2	7	7,2	7,2	8	7	7,2	7,2	8	7
NEDC CO ₂ emissions (g/km)	185	189	189	185	189	189	209	185	189	189	189	209

▲ Kerb weight with supplies, spare wheel, tools and accessories ▼ Including driver

▲ Kerb weight with supplies, spare wheel, tools and accessories ▼ Including driver

MAXI TRUCKS.



Dimensions mm	Maxi Truck 35			Maxi Truck 40		
	35	35	35	40	40	40
A Wheelbase	3450	3800		3450	3800	
L Maximum length	5743	6093		5743	6093	
Maximum width	2100	2100		2100	2100	
Front track	1810	1810		1810	1810	
Rear track	1790	1790		1790	1790	
Maximum height (when unladen)	2424	2424		2424	2424	
Front projection	948	948		948	948	
Rear projection	1345	1345		1345	1345	
E Flatbed internal length	3248	3598		3248	3598	
Flatbed internal width	2034	2034		2034	2034	
Side height	400	400		400	400	

Dimensions mm	Maxi Truck 35			Maxi Truck 40		
	Maxi	Maxi XL		Maxi	Maxi XL	
A Wheelbase	4035	4035		4035	4035 XL	
L Maximum length	6328	6693		6328	6693	
Maximum width	2100	2100		2100	2100	
Front track	1810	1810		1810	1810	
Rear track	1790	1790		1790	1790	
Maximum height (when unladen)	2424	2424		2424	2424	
Front projection	948	948		948	948	
Rear projection	1345	1345		1345	1345	
E Flatbed internal length	3833	4198		3833	4198	
Flatbed internal width	2034	2034		2034	2034	
Side height	400	400		400	400	

Wheelbase 3450 mm Loading surface: m ² 6,6	Maxi Truck 35			Maxi Truck 40		
	130 Multijet	150 Multijet	180 Multijet	130 Multijet	150 Multijet	180 Multijet
Engine versions	130 Multijet	150 Multijet	180 Multijet	130 Multijet	150 Multijet	180 Multijet
Vehicle weight [▲] tare (kg)	1895	1895	1945	1895	1895	1945
Capacity [▼] (kg)	1605	1605	1555	2045	2045	2045
GVW (kg)	3500	3500	3500	3940	3940	3990
Max. speed (km/h)	155	157	171	155	157	171
NEDC consumption (l/100 km)	7,2	7,2	8,1	7,2	7,2	8,1
NEDC CO ₂ emissions (g/km)	189	189	213	189	189	213

Wheelbase 4035 mm Loading surface: m ² 7,8	Maxi Truck 35			Maxi Truck 40		
	Maxi	Maxi XL		Maxi	Maxi XL	
Engine versions	130 Multijet	150 Multijet	180 Multijet	130 Multijet	150 Multijet	180 Multijet
Vehicle weight [▲] tare (kg)	1950	1950	2000	1950	1950	2000
Capacity [▼] (kg)	1550	1550	1500	2055	2055	2005
GVW (kg)	3500	3500	3500	4005	4005	4005
Max. speed (km/h)	155	157	171	155	157	171
NEDC consumption (l/100 km)	7,2	7,2	8,4	7,2	7,2	8,4
NEDC CO ₂ emissions (g/km)	189	189	222	189	189	222

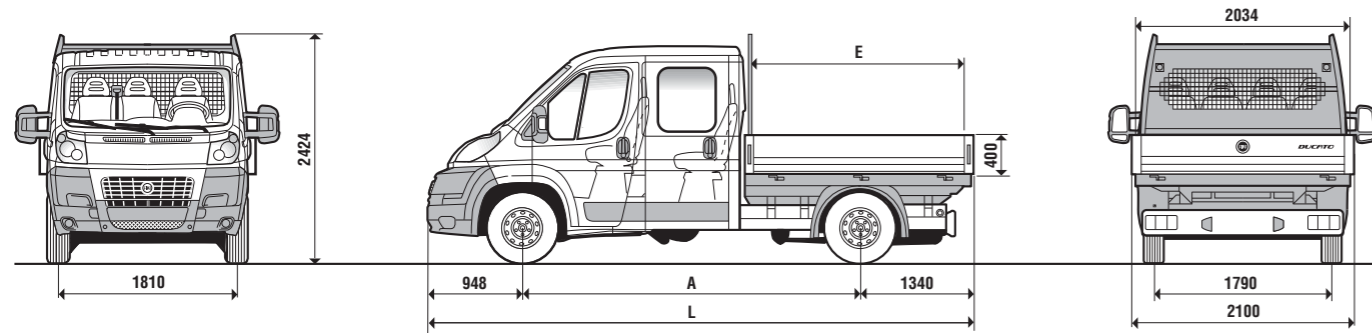
Wheelbase 3800 mm Loading surface: m ² 7,3	Maxi Truck 35			Maxi Truck 40		
	130 Multijet	150 Multijet	180 Multijet	130 Multijet	150 Multijet	180 Multijet
Engine versions	130 Multijet	150 Multijet	180 Multijet	130 Multijet	150 Multijet	180 Multijet
Vehicle weight [▲] tare (kg)	1930	1930	1980	1930	1930	1980
Capacity [▼] (kg)	1570	1570	1520	2075	2025	2025
GVW (kg)	3500	3500	3500	4005	4005	4005
Max. speed (km/h)	155	157	171	155	157	171
NEDC consumption (l/100 km)	7,2	7,2	8,4	7,2	7,2	8,4
NEDC CO ₂ emissions (g/km)	189	189	222	189	189	222

Wheelbase 4035 mm XL Loading surface: m ² 8,5	Maxi Truck 35			Maxi Truck 40		
	Maxi	Maxi XL		Maxi	Maxi XL	
Engine versions	130 Multijet	150 Multijet	180 Multijet	130 Multijet	150 Multijet	180 Multijet
Vehicle weight [▲] tare (kg)	1985	1985	2035	1985	1985	2035
Capacity [▼] (kg)	1515	1515	1465	2010	2010	1970
GVW (kg)	3500	3500	3500	3995	3995	4005
Max. speed (km/h)	155	157	171	155	157	171
NEDC consumption (l/100 km)	7,4	7,4	8,4	7,4	7,4	8,4
NEDC CO ₂ emissions (g/km)	195	195	222	195	195	222

▲ Kerb weight with supplies, spare wheel, tools and accessories ▼ Including driver

▲ Kerb weight with supplies, spare wheel, tools and accessories ▼ Including driver

CREW CAB TRUCKS.



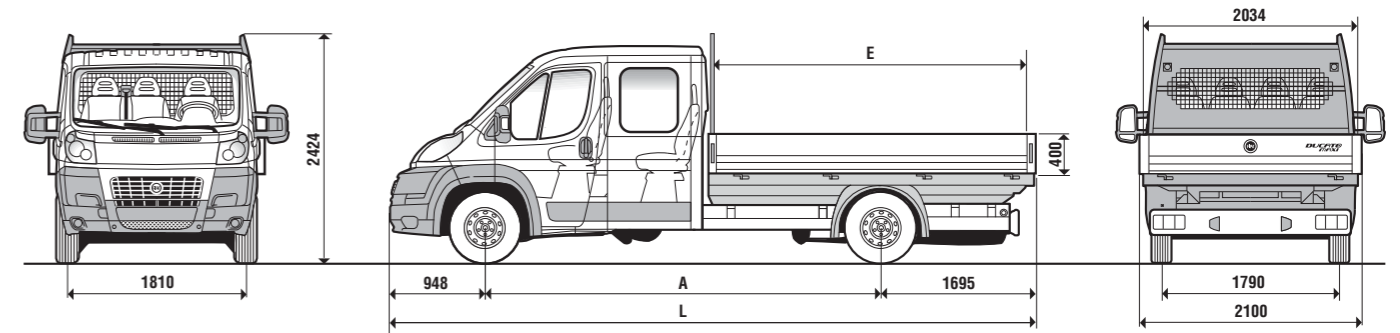
Dimensions mm	Crew Cab Truck 33				Crew Cab Truck 35			
A Wheelbase	3450	4035	3450	4035				
L Maximum length	5738	6228	5738	6228				
Maximum width	2100	2100	2100	2100				
Front track	1810	1810	1810	1810				
Rear track	1790	1790	1790	1790				
Maximum height (when unladen)	2424	2424	2424	2424				
Front projection	948	948	948	948				
Rear projection	1340	1245	1340	1245				
E Flatbed internal length	2398	2888	2398	2888				
Flatbed internal width	2034	2034	2034	2034				
Side height	400	400	400	400				

Wheelbase 3450 mm Loading surface: m ² 4,9	Crew Cab Truck 33				Crew Cab Truck 35			
Engine versions	115 Multijet	130 Multijet	150 Multijet	180 Multijet	115 Multijet	130 Multijet	150 Multijet	180 Multijet
Vehicle weight [▲] tare (kg)	1950	1965	1965	2015	1950	1965	1965	2015
Capacity [▼] (kg)	1350	1335	1335	1285	1550	1535	1535	1485
GVW (kg)	3300	3300	3300	3300	3500	3500	3500	3500
Max. speed (km/h)	148	155	157	171	148	155	157	171
NEDC consumption (l/100 km)	7	7,2	7,2	8,5	7	7,2	7,2	8,5
NEDC CO ₂ emissions (g/km)	185	189	189	224	185	189	189	224

Wheelbase 4035 mm Loading surface: m ² 5,9	Crew Cab Truck 33				Crew Cab Truck 35		
Engine versions	115 Multijet	130 Multijet	150 Multijet	180 Multijet	115 Multijet	130 Multijet	150 Multijet
Vehicle weight [▲] tare (kg)	2010	2025	2025	2075	2010	2025	2025
Capacity [▼] (kg)	1290	1275	1275	1225	1490	1475	1475
GVW (kg)	3300	3300	3300	3300	3500	3500	3500
Max. speed (km/h)	148	155	157	171	148	155	157
NEDC consumption (l/100 km)	7,2	7,4	7,4	8,5	7,2	7,4	7,4
NEDC CO ₂ emissions (g/km)	190	195	195	224	190	195	195

▲ Kerb weight with supplies, spare wheel, tools and accessories ▼ Including driver

MAXI CREW CAB TRUCKS.



Dimensions mm	Maxi Crew Cab Truck 35			Maxi Crew Cab Truck 40		
A Wheelbase	3450	4035	4035 XL	3450	4035	4035 XL
L Maximum length	5738	6228	6678	5738	6228	6678
Maximum width	2100	2100	2100	2100	2100	2100
Front track	1810	1810	1810	1810	1810	1810
Rear track	1790	1790	1790	1790	1790	1790
Maximum height (when unladen)	2424	2424	2424	2424	2424	2424
Front projection	948	948	948	948	948	948
Rear projection	1340	1245	1695	1340	1245	1695
E Flatbed internal length	2398	2888	3338	2398	2888	3338
Flatbed internal width	2034	2034	2034	2034	2034	2034
Side height	400	400	400	400	400	400

Wheelbase 3450 mm Loading surface: m ² 4,9	Maxi Crew Cab Truck 35			Maxi Crew Cab Truck 40		
Engine versions	130 Multijet	150 Multijet	180 Multijet	130 Multijet	150 Multijet	180 Multijet
Vehicle weight [▲] tare (kg)	2005	2005	2055	2005	2005	2055
Capacity [▼] (kg)	1495	1495	1445	1895	1895	1895
GVW (kg)	3500	3500	3500	3900	3900	3950
Max. speed (km/h)	155	157	171	155	157	171
NEDC consumption (l/100 km)	7,4	7,4	8,4	7,4	7,4	8,4
NEDC CO ₂ emissions (g/km)	195	195	222	195	195	222

Wheelbase 4035 mm Loading surface: m ² 5,9	Maxi Crew Cab Truck 35			Maxi Crew Cab Truck 40		
Engine versions	130 Multijet	150 Multijet	180 Multijet	130 Multijet	150 Multijet	180 Multijet
Vehicle weight [▲] tare (kg)	2065	2065	2115	2065	2065	2115
Capacity [▼] (kg)	1435	1435	1385	1940	1940	1890
GVW (kg)	3500	3500	3500	4005	4005	4005
Max. speed (km/h)	155	157	171	155	157	171
NEDC consumption (l/100 km)	7,4	7,4	8,4	7,4	7,4	8,4
NEDC CO ₂ emissions (g/km)	195	195	222	195	195	222

Wheelbase 4035 mm XL Loading surface: m ² 5,9	Maxi Crew Cab Truck 35			Maxi Crew Cab Truck 40		
Engine versions	130 Multijet	150 Multijet	180 Multijet	130 Multijet	150 Multijet	180 Multijet
Vehicle weight [▲] tare (kg)	2105	2105	2155	2105	2105	2155
Capacity [▼] (kg)	1395	1395	1345	1900	1900	1850
GVW (kg)	3500	3500	3500	4005	4005	4005
Max. speed (km/h)	155	157	171	155	157	171
NEDC consumption (l/100 km)	7,4	7,4	8,4	7,4	7,4	8,4
NEDC CO ₂ emissions (g/km)	195	195	222	195	195	222

▲ Kerb weight with supplies, spare wheel, tools and accessories ▼ Including driver

STANDARD EQUIPMENT AND OPTIONS.

NEW DUCATO

Exterior		Vans	Glazed vans	Lorries
Halogen headlights with double parabolic lens				
Exterior double arm rear view mirrors with side repeater				
Fuel cap with lock and flap				
Integrated rear fog and reverse lights				
Green filter and water in diesel sensor				
Side protection mouldings (+ wheel arches for Maxi versions)				
Third brake light				
125 litre tank	4G9	• / - (28 q.)	•	•
"Green" Michelin Agilis tyres	4JE	•	•	•
Reflective windscreen	4G1	•	•	•
Heated rear window on 2 rear glazed swing doors	029	•	•	-
Electric wing mirrors + defrostin	041	•	•	•
2 nd sliding side door	055	• / - (28 q.)	• / - (28 q.)	•
Comfort suspensions	062	•	•	-
Double leaf rear suspensions	077	• / - (28 q.)	• / - (28 q.)	-
Fog lights	097	•	•	•
Headlamp wash wiper	102	•	•	•
Alloy wheels with 225/70 R15 tyre	108	- (28 q.) / •	•	•
Winter tyres (225/70 R15) and (225/75 16")	141	• / - (28 q.)	•	•
15" and 16" alloy wheels	108/208	• / - (28 q.)	•	•
Oversize tyres (225/70 15") and (225/75 16")	142	• / - (28 q.)	•	•
Rear mudflaps	197	•	•	•
Metallic paintwork	210	•	•	•
Engine sump protection	237	•	•	•
Flatbed	288	-	-	•
Cab with platform	292	-	-	•
Electric folding wing mirrors	341	•	•	•
Safety bars	358	-	-	•
Ladder holder and cab protection grille	475	-	-	•
Glazed rear doors	519	•	-	-
Glazed sliding side door	520	•	-	-
Self-levelling suspensions	555	• / - (28 q.)	•	•
270°-opening rear doors	619	•	•	-
Front mudflaps	747	•	•	•
Integrated hub caps	878	•	•	•

Interior		Vans	Glazed vans	Lorries
Steering column with axial adjustment				
Height adjustable driver's seat				
Two-seater passenger seat with 3 point seat belt for middle passenger	293	• / • (28 q.)		
Cab door panels with door and electric window controls				
Multifunction dashboard with open compartments, glass holder, coolbox and glove compartment with lock				
Techno dashboard	6BL	•	•	•
Seat guard	50E	•	•	•
Armrest and lumbar support for driver's seat	132	•	•	•
Blind partition	149	• / • (28 q.)	-	-
Upholstered headrest	188	•	•	•
Sliding glass partition	199	•	•	-
Adjustable passenger seat + armrest	297	•	•	•
Leather steering wheel and gear lever knob	320	• / - (28 q.)	•	•
Thermoformed plastic load compartment wall protection	324	•	•	-
Load compartment wall protection at half height	361	•	•	-
Multi-layered load compartment floor protection	381	•	•	-
Heated passenger seat	452	•	•	•
Heated driver's seat	453	•	•	•
Height adjustable passenger seat	454	•	•	•
Swivel driver's seat	638	•	•	•*
Sprung driver's seat	640	•	•	•
Swivel passenger seat	641	•	•	•*
Faux leather upholstery	727	•	•	•
Velvet upholstery	728	•	•	•*
Under-ceiling shelf (capucine)	835	- (28 q.) / • / Maxi 40	- (28 q.) / • / Maxi 40	• / Crew cab

Functional / Electrical		Vans	Glazed vans	Lorries
Power steering (with Servotronic on 180 Multijet Power)				
Display with digital clock and Trip computer				
12V illuminated socket				
Tempered windows and electric front windows				
Speedometer, electronic rev counter				

NEW DUCATO

Functional / Electrical		Vans	Glazed vans	Lorries
Remote central locking		3 Buttons	3 Buttons	2 Buttons
Load compartment roof light				-
Hooks to anchor the cargo and load at half height				-
Servotronic (variable power steering system)	012	-▲ / ●▲ / ▲	-▲ / ●▲ / ▲	-▲ / ●▲ / ▲
Start&Stop (only on 130 and 150 Multijet)**	5DE	•	•	•
Manual climate contro	025	•	•	•
Engine oil level sensor	033	-▲ / ●▲ / ▲	-▲ / ●▲ / ▲	-▲ / ●▲ / ▲
Dusk and rain sensor	051	•	•	•
"Dead locking" safety locks	064	•	•	•
Oversized alternator	065	• (115 Multijet) / -	• (115 Multijet) / -	• (115 Multijet) / -
Transformer socket and battery setup	081	•	•	-
Webasto automatic independent heater	133	• / - (28 q.)	•	•
Automatic climate control system	140	• / - (28 q.)	•	•
Supplementary heater	200	•	•	•*
Rear heater setup	4N8	•	•	•*
Additional Webasto programmable independent heater	205	• / - (28 q.)	•	•
Perimeter anti-theft system with antilift function	213	•	•	•
Rear camera	316	•	•	-
Comfort-Matic automatic robotised gearbox (only on 180 Multijet Power)	407	•	•	•
Cruise control	416	•	•	•
Parking sensors	508	•	•	-
Daylight device (DRL) - daytime running lights	692	•	•	•
Tachograph	650	• / Maxi 40 / - (28 q.)	• / Maxi 40	• / Maxi 40
Rear crossmember and taillights	742	-	-	-
Boosted battery (110 Ah)	782	• / 180 Multijet Power	- / • / 180 Multijet Power	• / 180 Multijet Power
12V socket in load compartment	823	•	•	-
Additional rear flow heater	906	•	•	-
Traction+	941	•	•	•
Normal size steel spare wheel	980	•	•	•
Rear climate control setup	4GT	• / - (28 q.)	•	•*
Oversized alternator (180 Ah)	4WP	• / - (115 Multijet)	• / - (115 Multijet)	• / - (115 Multijet)
4x4 conversion set-up (only on 130 and 150 Multijet)*	5D8	•	•	•
Speed limiter (90 km/h)	58E	• / 40 q.	• / 40 q.	• / 40 q.
Speed limiter (100 km/h)	5BF	•	•	•
Removable rear ceiling light	58F	•	•	-
Rear door cargo net	51J	•	•	-
Smokers kit	989	•	•	•
Rear heated window	029	•	•	-

Safety		Vans	Glazed vans	Lorries
3-point seat belts with reel for cab seats				
Height adjustable headrest for cab seats				
4-sensor ABS + load proportioning valve EBD				
MBA Mechanic Brake Assistance				
Driver air bag				
ESP (Electronic Stability Program) + LAC (Load Adaptative Control)	392	•	•	•
Passenger airbag	502	•	•	•
Front side air bags + window bags	505	• / - (28 q.)	•	•*

Audio / Telematics		Vans	Glazed vans	Lorries
Dashboard radio setup (cables)				
Setup for Tom Tom with Blue&Me™	68R	•	•	•
Setup for Tom Tom without Blue&Me™	6EN	•	•	•
Setup for radio system with cables, antenna and speakers	082	•	•	•
Radio controls on steering wheel	245	•	•	•
Radio antenna integrated in right rear view mirror	5AO	•	•	•
Blue&Me™	4J3	•	•	•
Radio with CD and MP3 player	41A	•	•	•

Pack		Vans	Glazed vans	Lorries
LH pack	6P3/6P4	•	•	•

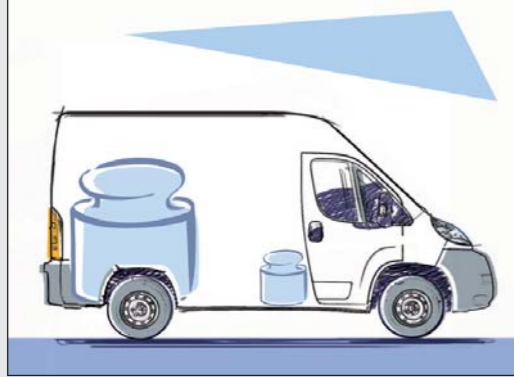
▲ Not available on 115 Multijet, optional on 130 and 150 Multijet, standard on 180 Multijet Power

* Excluding Crew cab ▼ Excluding Maxi version ** Available soon

■ = Standard • = Option - = Not available

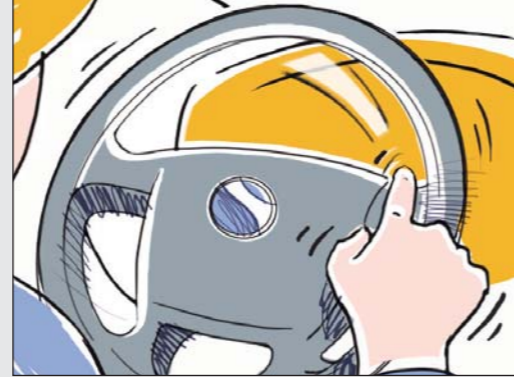
TECHNICAL GLOSSARY.

Self-levelling suspensions



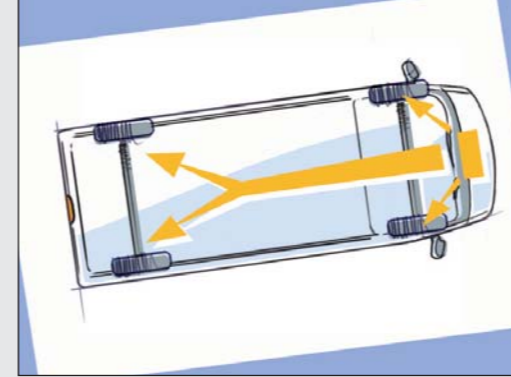
● The vehicle's suspension systems maintain a constant vehicle ride, irrespective of the load and its arrangement, thus increasing safety and driving comfort. The suspensions are controlled by an ECU that acts on the air suspension system. This system allows, when the vehicle is stationary, the raising or lowering of the load platform 70 mm.

Variable assistance power steering



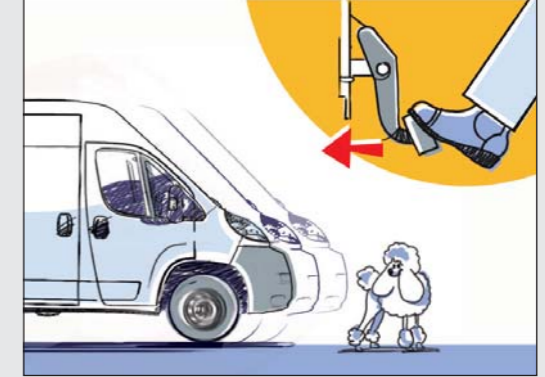
● The system increases driving comfort, making parking manoeuvres as well easier with the vehicle stationary and with a full load. The variable power-assisted steering reduces the effort required to turn the wheel compared with standard power steering. At the same time, it also ensures maximum precision at high speeds by gradually adjusting to the force exerted by the driver.

EBD - Electronic Brake force Distribution



● The electronic system distributes brake force between front and rear axles to optimise efficiency in all driving situations.

MBA - Mechanic Brake Assistance



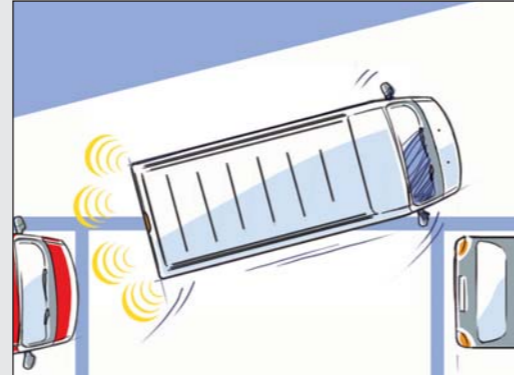
● It automatically increases the pressure in the braking circuit during emergency braking, reducing the stopping distances. The device directly acts on the brake servo. If the vehicle is equipped with ESP, the same function is carried out by the HBA (Hydraulic Brake Assistance).

Reflective windscreen



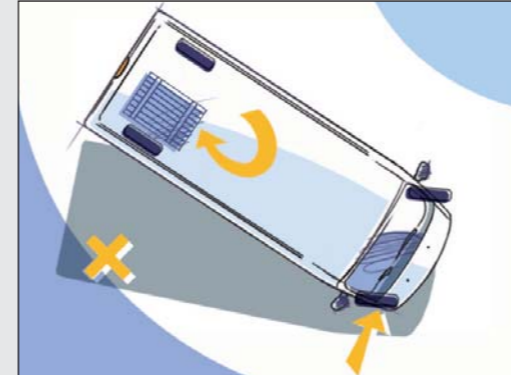
● It contains a fine layer of metal oxides that intercept and reflect the infrared rays that are responsible for overheating the passenger compartment. The reflecting windscreen reduces the burning effect of the sun's rays on the occupants and the temperature inside the passenger compartment with a relevant decrease of air conditioning use and therefore consumption.

Parking sensors



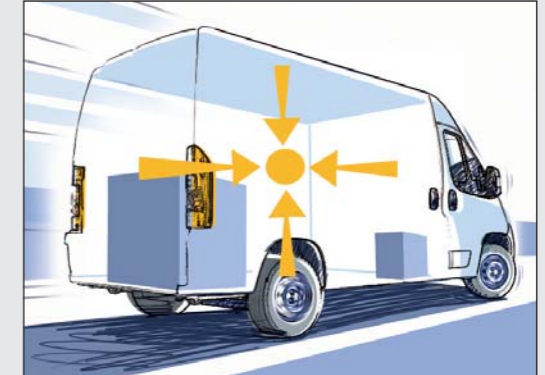
● They notify the driver of the distance between the vehicle and any objects behind the vehicle. The system is activated with the reverse gear engaged and operates with 4 ultrasound sensors. The approach to an object is indicated by an intermittent acoustic signal. A continuous acoustic signal lets you know when you should proceed no further.

ESP - Electronic Stability Program



● The system intervenes in emergency situations, for example in sudden swerving manoeuvres to avoid an unexpected obstacle. It monitors parameters such as lateral acceleration, speed, grip and angle of the steering wheel. If necessary, it processes the data, intervenes on the drive torque and braking system to restore perfect stability to the vehicle.

LAC - Load Adaptive Control



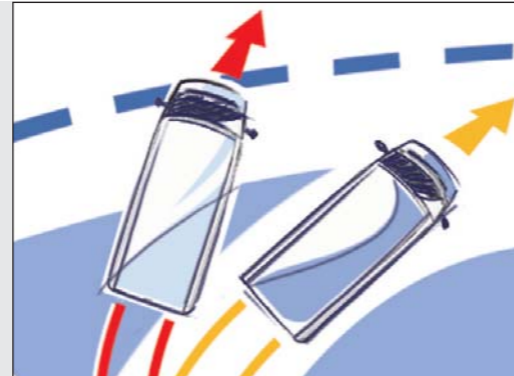
● The Load Adaptive Control integrated into the ESP identifies the vehicle's load conditions during travel, notably the total weight and the centre of gravity. Depending on these parameters, it intervenes by calculating and communicating new readings and intervention thresholds to the ABS, ASR and ESP functions so that these are always as effective as possible.

Start&Stop



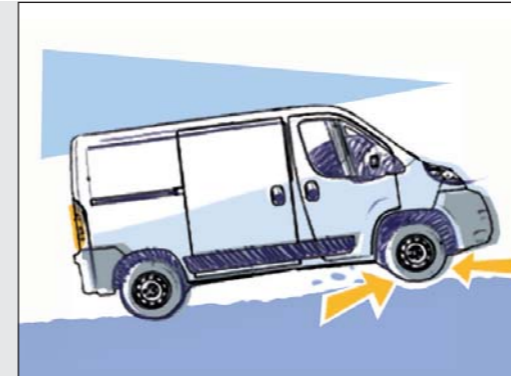
● Start&Stop is the system that automatically switches off the engine when traffic conditions require the vehicle to stop, such as red lights, tailbacks and temporary stops. The engine is subsequently switched on by pressing the clutch pedal. Specially designed for driving in the city, it guarantees up to 15% fuel saving, contributing also to reducing emissions.

ABS - Anti-lock Braking System



● The system prevents one or more wheels from locking while emergency braking. The device allows the best possible use of the tyre grip thus preventing loss of control of the vehicle.

ASR - Anti Slip Regulation



● The system opposes the effects of one or both drive wheels skidding in case of poor grip by intervening on the brakes or temporarily reducing the power supplied by the engine.

TRACTION+



● Traction+, present on vehicles with ESP, is the innovative traction control system that improves the vehicle's handling on difficult terrain with poor grip. Under conditions of low or zero grip from any drive wheel, the control unit detects slip and brakes it, transmitting the drive torque on the wheel with greater grip on the ground. In this way, the vehicle's performance is more comfortable, ensuring the best stability and handling.

SERVICES.

Customers who choose a Fiat commercial vehicle know that they can count on a vehicle that is technologically innovative with state-of-the-art safety but also on a world of solutions and services designed to meet all the transport needs.

WARRANTY SERVICES



24 months of warranty with unlimited mileage. Roadside assistance throughout Europe. Breakdown coverage in the event of breakdown or accident. Towing vehicle to brand workshop. Return of passengers or continuation of journey. Hotel expenses. Courtesy car in the event of a fault. Recovery of repaired vehicle. Sending parts abroad.



Total Service is a comprehensive maintenance package that enables you to work and grow your business without worries. Discover the best way to keep your vehicle in perfect shape, prevent situations where your vehicle is off the road and free yourself of any concern.

Includes:

- extension of contractual warranty up to 60 months;
- scheduled services, including all restorations and replacements set out in the usage and owner handbook;
- free replacement of parts damaged by wear due to normal* vehicle use with Original Parts;
- roadside assistance and the advantages already included in the first 24 months of the vehicle's life will be extended up to the fifth year: towing, mobile workshop, medical health assistance and intervention even in the most common unforeseen circumstances such as running out of fuel, using the incorrect fuel, flat battery, tyre puncture, key breakage/loss.

* The replacements provided are those specific to the mileage option chosen by the customer.



The Fiat Professional 5 Stelle warranty package extends the benefits of the contractual warranty. It includes two time-scale options of 3 or 5 years and three different mileage options (90,000/120,000/180,000 km). Fiat Professional 5 Stelle will entitle you to all the services offered by the 2+ warranty, plus extension of the warranty on paintwork factory defects. Fiat Professional 5 Stelle adds even more value to your choice.

Fiat Professional InTempo - InForma Fiat Professional

Do you want to preserve the performance of your commercial vehicle by ensuring it is correctly serviced? Choose the **InTempo** package, offering you the possibility of purchasing 2 to 5 **programmed maintenance** services in advance, or the **InForma** package with four different **extraordinary maintenance** solutions, each including correct replacement of parts most subject to wear (brake pads, brake discs, windscreen wiper blades, clutch kit, etc). The advantages are immediate and identical whichever mileage option you choose: **a 20% saving on the list price of original parts and the guarantee of qualified labour at any Fiat Professional service outlet.**

ASSISTANCE AND CUSTOMER RELATIONS SERVICES



00 800 342 800 00

CIAO FIAT, Assistance and Customer Relations Services

Call the freephone* number 00 800 342 800 00 and access all the services created by Fiat Professional for you:

Roadside Assistance (24 hours a day, 365 days a year)

For: towing and breakdown call-outs in the event of faults and accidents; information on the service network; free passenger return services (or continuation of journey); hotel expense payment; recovery of repaired vehicle; cash advances; parts dispatch.

Information (from Monday to Saturday from 8 AM to 8 PM)

For everything that you want to know about our models (versions, optional extras, promotions, prices), our services and the dealerships and book a test drive at one of our dealerships.

Customer relations services (from Monday to Saturday from 8 AM to 8 PM)

To respond to all your needs or requests concerning your vehicle and our services.

* The call is free from landlines and mobile networks. In some European countries a fee is charged to the caller by some mobile networks depending on the tariff applied by operators.

FINANCIAL SERVICES

However you choose to experience mobility, SAVA satisfies your needs with financial and leasing packages combined with exclusive insurance services.

Powered by

Instalment Classic instalment finance that allows you to spread the payment of all or part of your new car for a period ranging from 12 to 72 months or part of your used car for a period ranging from 12 to 60 months.

If you are a tradesperson, freelance worker or run your own business, this is the best solution for you because it offers you the option of using your car without owning it and tying up your capital: effective planning of incomings and goings and a choice of contract duration (from 42 to 60 months) and of the advance plus a flexible final redemption value.

HIRE SERVICES

Long-term hire is the ideal solution for companies and professionals who want to benefit from and appreciate all the advantages of their new vehicle without the burden of ownership and the duties that this involves.

Long-term hire offers tangible benefits:

- freeing yourself from the burdens of car management,
- simplifying administrative management: single payment for more power,
- making recourse to a partner that is qualified and an expert in managing operating costs of a vehicle fleet,
- flexible vehicle fleet management formula: possibility of contractual amendments,
- customisations of the hire services to the customer's needs,
- direct cost known from the beginning and planned over the entire period,
- no tying up of capital,
- deduction of the instalment according to business class and vehicle use.

For information contact your Dealership or visit the www.savarent.it website.

Powered by

INSURANCE SERVICES*

Marking Protection System for marking your vehicle for anti-theft and identification purposes; Fire & Theft policy; throughout the duration of the contract, it is possible to include full coverage in the event of theft, fire, robbery, natural events, socio-political events and acts of vandalism; F/I and KASKO policy: the F/I Policy coverage can also be combined with the exclusive KASKO policy including damage reimbursement in the event of collision with another vehicle, impact against fixed and moving obstacles, rollover or leaving the road. These insurance services are financed at a rate of zero interest throughout the duration of the contract.

Protected Loan This is a flexible insurance service included in the SAVA finance/ leasing package, that frees you from the commitment of paying the residual debt or part of the monthly deposits due if unexpected and sudden events occur.

* Within the limits laid down by policy conditions and save the exclusions indicated. For more information, call the Contact Centre 199.818.203 (from Monday to Friday from 8 AM to 6 PM) or visit the www.sava.it website.

SPECIAL SALES PROGRAMMES

Customised mobility solutions? Autonomy is aimed at people with reduced motor abilities and proposes specific trim levels for passenger transport vehicles, roadside assistance and financial services. It also offers comprehensive assistance in obtaining a special driving licence from Mobility Centres. Call the **freephone number 800-838333** to obtain full and complete information based on your needs.

